



British Audio



OPTISOUND

Mercedes Replacement Speakers

OPTISOUND MERCEDES 4 COAXIAL

- OPTISOUNDMERC4-V2

OPTISOUND MERCEDES 4 COMPONENT

- OPTISOUNDMERC4C-V2

OPTISOUND MERCEDES 8 SUBWOOFER

- OPTISOUNDMERC8WR-V2 (RHD)
- OPTISOUNDMERC8WL-V2 (LHD)

Owners Manual

Congratulations on purchasing your VIBE speakers. Please read this manual in order to fully understand how to get the best results from this product and ensure that all advice on how to look after the product is followed.

Thank you for buying VIBE, we hope you enjoy listening to your product as much as we enjoyed creating it.

WARNING



DO NOT EXPOSE THIS PRODUCT TO DAMP OR MOISTURE - doing so may result in fire, shock or damage to the product.

BEFORE WIRING DISCONNECT THE CABLE FROM THE POSITIVE BATTERY TERMINAL - failure to do so may result in electric shock or injury.

ENSURE GOOD AND CORRECT CONNECTIONS - failure to make the correct connections may result in fire or damage to the product.

DO NOT USE ANY FUNCTIONS OF THIS EQUIPMENT THAT MAY TAKE YOUR CONCENTRATION AWAY FROM DRIVING YOUR VEHICLE - do not set up your amplifier whilst driving, doing so may result in an accident. For prolonged setting up, make sure that your vehicle is stationary and in a safe location.

KEEP THE VOLUME AT A LEVEL SO YOU CAN STILL HEAR OUTSIDE NOISE - failure to do this may result in an accident. VIBE equipment is capable of producing sound levels that can permanently damage your hearing. VIBE recommends caution when listening at high volume. For safe and enjoyable listening the sound should be comfortable and clear without distortion.

CAUTION

Never connect any speaker lead to the car chassis. This can cause severe damage to your speaker /car radio /amplifier.

Before drilling or cutting any holes, investigate the layout of your vehicle thoroughly. Use caution when working near the fuel / hydraulic lines and electrical wiring.

Observe the correct polarity when wiring, improper phasing may cause a loss of bass response.

Ensure that no moving parts catch on the speaker or grill (e.g. window or door handles, or window glass inside the door)

Limited Warranty

All VIBE products carry a full 12 month warranty, valid from the date of the original receipt and proof of purchase (UK only). The online warranty card should be completed within seven days of the original purchase date. The original receipt and packaging should be retained for this twelve month period. If the product develops a problem any stage during the warranty period, it should be returned to the point of purchase in its original packaging, and complete with no items missing.

A full description of VIBE's warranty information can be found on our website:

www.vibeaudio.co.uk

What Is Not Covered

- Damage to product due to improper installation.
- Subsequent damage to other components.
- Damage caused by exposure to moisture, excessive heat, chemical cleaners and / or UV radiation.
- Damage through negligence, misuse, accident or abuse. Repeated returns for the same fault may be considered abuse.
- Any cost or expense related to the removal and / or re-installation of the product.
- Damage caused by amplifier clipping or distortion.
- Items repaired or modified by any unauthorised repair facility.
- Return shipping on non defective items.
- Products returned without a returns authorisation number.
- Damage to product due to use of sealant.

International Warranty

Contact your international VIBE dealer or distributor concerning specific procedure for your country's warranty policies. www.vibeaudio.co.uk

Warning

VIBE equipment is capable of sound pressure levels that can cause permanent damage to your hearing and those around you. Please use common sense when listening to your audio system and practice safe sound.

Copyright

All content included in this manual such as text, graphics, logos, icons, images and data, are the property of Midbass Distribution Limited t/a VIBE Technologies Limited (herein referred to as "VIBE", "us" or "we") and its affiliate or their content and technology providers, and are protected by United Kingdom and International copyright laws. All rights reserved. VIBE TV, VIBE Arcade, Bass Box, Optisound, Cinesound, BlackAir, BlackBox, Space, LiteAir, SLICK, BlackDeath, Bubonic, Reaper, Anti-VIBE, FastPlug, BlackHole, QB69, VIBE Turbo Port, Vibe TurboVent, Pressure Board, Super Driver, VIBE Pulse, VIBE Power, VIBE Digital, VIBE MAG Plugs, Ferrite Loaded, VIBE Solid Core, VIBE OCC, VIBE FLAT, ICC, Bass Enhance, Bass Enhance+, QBass, SpeedBass, PowerBass, N-Wedge, Box Grip, ARBSS, Supercar Series and all stylised representations of product names, or the abbreviations of product names, as logos are all trademarks of VIBE. Graphics and logos are trademarks or trade dress of VIBE Technologies Ltd or its subsidiaries. VIBE's trademarks and trade dress may not be used in connection with any product or service that is not VIBE's, in any manner that is likely to cause confusion among customers or in any manner that disparages or discredits VIBE. All other trademarks not owned by VIBE or its subsidiaries that appear in this manual are the property of their respective owners, who may or may not be affiliated with, connected to, or sponsored by VIBE or its subsidiaries.

TO THE FULLEST EXTENT PERMITTED AT LAW, VIBE IS PROVIDING THIS MANUAL AND ITS CONTENT ON AN "AS IS" BASIS AND MAKES NO (AND EXPRESSLY DISCLAIMS ALL) REPRESENTATIONS OR WARRANTIES OF ANY KIND, EXPRESS OR IMPLIED, WITH RESPECT TO THIS MANUAL OR THE INFORMATION, CONTENT, MATERIALS OR PRODUCTS INCLUDED IN THIS MANUAL INCLUDING, WITHOUT LIMITATION, WARRANTIES OF MERCHANTABILITY AND FITNESS FOR A PARTICULAR PURPOSE. IN ADDITION, VIBE DOES NOT REPRESENT OR WARRANT THAT THE INFORMATION CONTAINED IN THIS MANUAL IS COMPLETE OR CURRENT, AND THAT ALL SPECIFICATIONS AND INFORMATION CONTAINED WITHIN THIS MANUAL ARE SUBJECT TO CHANGE WITHOUT NOTICE. VIBE RECOMMENDS CAUTION WHEN LISTENING TO MUSIC REPRODUCED THROUGH VIBE EQUIPMENT. VIBE EQUIPMENT IS CAPABLE OF PRODUCING SOUND AND SOUND PRESSURE LEVELS THAT CAN PERMANENTLY DAMAGE HEARING OF YOU AND THAT OF OTHERS. FOR SAFE AND ENJOYABLE LISTENING, THE SOUND SHOULD BE CLEAR WITHOUT DISTORTION AT A COMFORTABLE VOLUME. BY USING ANY VIBE EQUIPMENT, YOU AGREE TO TAKE FULL RESPONSIBILITY FOR YOUR OWN SAFETY AND THE SAFETY OF OTHERS WHEN LISTENING TO MUSIC AT HIGH VOLUMES THROUGH EQUIPMENT YOU HAVE PURCHASED. USE OF ANY VIBE EQUIPMENT CONSTITUTES AGREEMENT TO THIS DISCLAIMER. Except as specifically stated in this manual, to the fullest extent permitted at law, neither VIBE nor any of its affiliates, directors, employees or other representatives will be liable for damages arising out of or in connection with the use of this manual or the information, content, materials or products included. This is a comprehensive limitation of liability that applies to all damages of any kind, including (without limitation) compensatory, direct, indirect or consequential damages, loss of data, income or profit, loss of or damage to property and claims of third parties. For the avoidance of doubt, VIBE does not limit its liability for death or personal injury to the extent only that it arises as a result of negligence of VIBE, its affiliates, directors, employees or other representatives.

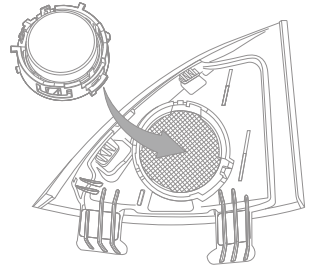
Speaker Installation

The OPTISOUNDMERC4C-V2 tweeter is a direct replacement for the factory fitted tweeter. To Install, simply snap into the mirror pod after removing the factory tweeter.

NOTE:

If you have a vehicle without any factory installed tweeters, you will need to purchase the correct mirror pods from your local Mercedes dealer.

See next page for wiring connections.

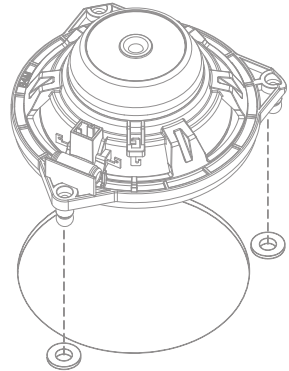


The OPTISOUNDMERC4C-V2 midrange is a direct replacement for the factory fitted midrange driver. To Install, locate into the three mounting sockets after removing the factory midrange.

See next page for wiring connections.

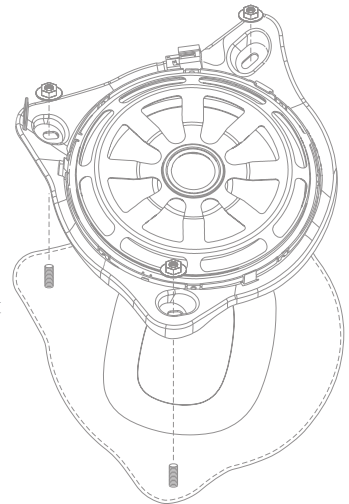
The OPTISOUNDMERC4-V2 coaxial speaker installs in exactly the same way as the OPTISOUNDMERC4C-V2.

The only difference is that the speaker and plugs directly into the same connector used by the factory midrange speaker.

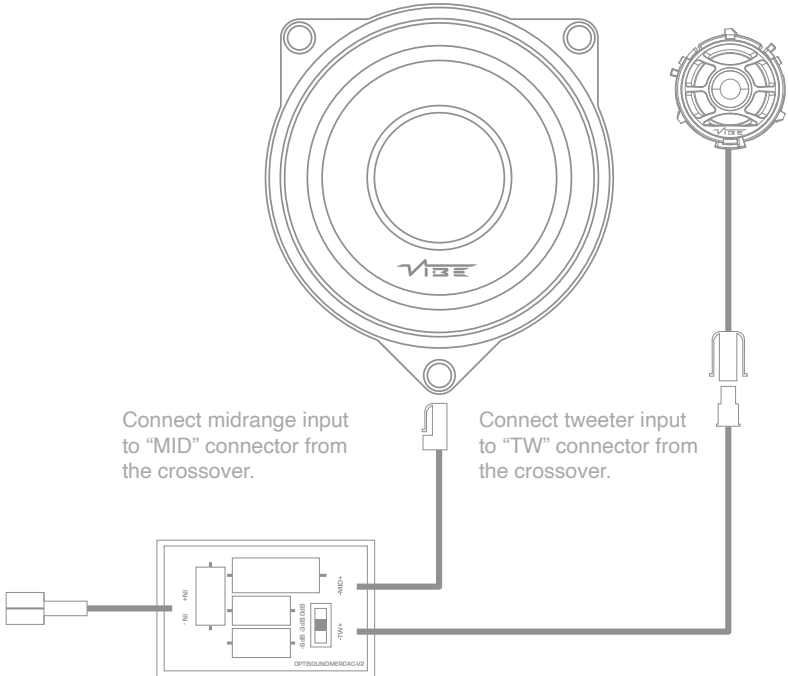


The OPTISOUNDMERC8WR/L-V2 subwoofer is a direct replacement for the factory fitted subwoofer. To Install, it will be necessary to remove the splashback cover in the front footwell. Once the factory subwoofer has been removed you can mount the OPTISOUNDMERC8WR/L-V2 subwoofer into the same location using the factory screw nuts.

The speaker connection socket is located on the front of the OPTISOUNDMERC8WR/L-V2 subwoofer and plugs directly into the same connector used by the factory subwoofer.



OPTISOUNDMERC4C-V2 Wiring Connections



Connect crossover input to factory midrange connector.

The OPTISOUNDMERC4C-V2 has been designed for easy plug and play installation in mind.

Firstly connect the factory midrange speaker connector to the "IN" connector on the crossover. The midrange should be connected to the "MID" output connector from the crossover and the tweeter should be connected to the "TW" output connector from the crossover.

After connections are made, you can tune the level of the tweeter to your desired preference using the attenuation selection switch which has 0dB, -3dB and -6dB settings.

Specification

Model	OPTISOUNDMERC8WR-V2	OPTISOUNDMERC8WL-V2	OPTISOUNDMERC4C-V2	OPTISOUNDMERC4-V2
Type	Subwoofer RHD	Subwoofer LHD	Component	Coaxial
Configuration	1-way	1-way	2-way	2-way
Speaker Size	8" (200mm)	8" (200mm)	4" (100mm)	4" (100mm)
Peak/RMS Power	300W/100W	300W/100W	180W/60W	180W/60W
Sensitivity	88dB	88dB	89dB	89dB
Frequency Response	25Hz - 250Hz	25Hz - 250Hz	90Hz - 25kHz	90Hz - 25kHz
Impedance	2Ω	2Ω	4Ω	4Ω
Vehicle Manufacturer	Mercedes Benz	Mercedes Benz	Mercedes Benz	Mercedes Benz
Grille Included	Yes	Yes	No	No
Recommended Amp	POWERBOX100.4M-V0	POWERBOX100.4M-V0	POWERBOX65.4M-V7	POWERBOX65.4M-V7

Vehicle Application

Model	Type	Series	Year	OPTISOUNDMERC8WR-V2	OPTISOUNDMERC4C-V2	OPTISOUNDMERC4-V2
				OPTISOUNDMERC8WL-V2	OPTISOUNDMERC4C-V2	
C Class	Convertible	A025	From 2016	Front subwoofer	Front / Rear door	Front / Rear door
	Coupe	C205	From 2015	Front subwoofer	Front / Rear door	Front / Rear door
	Sedan	W205	From 2014	Front subwoofer	Front / Rear door	Front / Rear door
	T-Model	S205	From 2014	Front subwoofer	Front / Rear door	Front / Rear door
E Class	Convertible	A238	From 2017	Front subwoofer	Front / Rear door	Front / Rear door
	Coupe	C238	From 2017	Front subwoofer	Front / Rear door	Front / Rear door
	Sedan	W213	From 2016	Front subwoofer	Front / Rear door	Front / Rear door
	T-Model	S213	From 2016	Front subwoofer	Front / Rear door	Front / Rear door
GLC	SUV	X253	From 2015	Front subwoofer	Front / Rear door	Front / Rear door
	SUV Coupe	C253	From 2015	Front subwoofer	Front / Rear door	Front / Rear door
S Class	Sedan	W222	From 2013	Front subwoofer	Front / Rear door	Front / Rear door

UK Technical Enquiries

Call 09067031420

Calls cost 50p per minute. Call costs correct at date of publication (01/02/12)

Hours of business 9.00am - 5.30pm GMT Monday - Friday.

All calls are recorded for training purposes.

MIDBASS Distribution

PO Box 11000

B75 7WG



International Technical Enquiries

For international technical support please contact the distribution agent for your country.

Please visit **www.vibeaudio.co.uk** for more details.





OPTISOUND

Designed and engineered in England



www.vibeaudio.co.uk

www.youtube.com/vibeaudio

www.facebook.com/vibeaudio

www.instagram.com/vibeaudio

